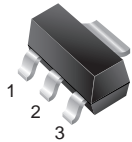




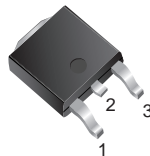
# 800mA Low Dropout Positive Adjustable Regulator

SOT-223



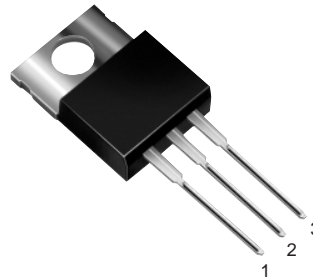
GS1117CST

TO-252  
(DPak)



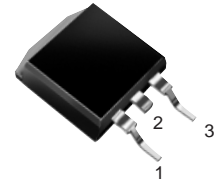
GS1117CE

TO-220AB



GS1117CT

TO-263AB  
(D<sup>2</sup>Pak)



GS1117CM

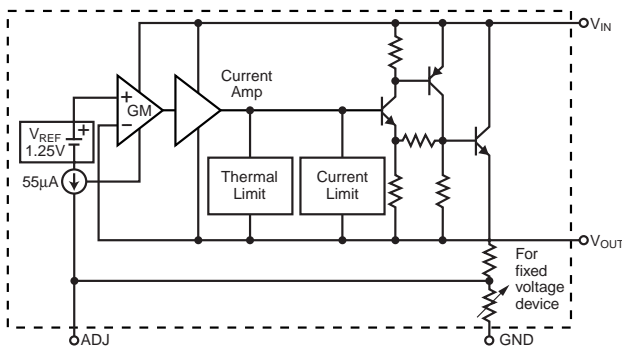
### Pin Definition

1. Adjust/Gnd.
2.  $V_{out}$  (tab)
3.  $V_{in}$

### Features

- Dropout Voltage 1.2V at 800mA Output Current
- Fast Transient Response
- Line Regulation typically at 0.015%
- Load Regulation typically at 0.1%
- Internal thermal limiting
- Adjustable Output Voltage or Fixed 2.5V, 2.85V, 3.3V, 5V
- Standard 3-Pin Power Packages

### Functional Block Diagram



### Description

The GS1117 is a low dropout three terminal regulator with 800mA output current capability. The output voltage is adjustable with the use of a resistor divider. For fixed output voltage versions, the output voltage is internally set at 2.5V, 2.85V, 3.3V or 5V. Dropout is guaranteed at a maximum of 1.4V at maximum output current. Its low dropout voltage and fast transient response make it ideal for low voltage microprocessor applications. Internal thermal limiting provides protection against any overload condition that would create excessive junction temperatures.

### Applications

- SCSI-2 Active Terminator
- Post Regulator for Switching Supply
- Battery Chargers
- Constant-Current Regulators
- PC Add-On Card

### Mechanical Data

**Case:** TO-220AB, TO-263AB (D<sup>2</sup>PAK), TO-252 (DPAK) and SOT-223

**High temperature soldering guaranteed:**  
260°C/10 seconds at terminals

*Case outlines are on the back page*



**Maximum Ratings and Thermal Characteristics** (T<sub>A</sub> = 25°C unless otherwise noted)

Parameter	Symbol	Value	Unit
Vin Pin to ADJ/GND Pin	V <sub>in</sub>	7	V
Thermal Resistance – Junction to Case	R <sub>θJC</sub>	TO-220AB	3.0
		TO-252	8.0
		TO-263AB	3.0
		SOT-223	15.0
Operating Junction Temperature Range	T <sub>J</sub>	0 to +125	°C
Storage Temperature Range	T <sub>stg</sub>	-65 to 150	°C

**Electrical Characteristics** <sup>(1)</sup> T<sub>J</sub> = 25°C <sup>(2)</sup>, V<sub>IN</sub> = 5V, I<sub>o</sub> = 10mA unless otherwise noted.

Parameter	Symbol	Test Conditions	Min	Typ	Max	Unit
Reference Voltage	V <sub>REF</sub>	T <sub>J</sub> = 25°C	1.238	1.250	1.262	V
		0°C ≤ T <sub>J</sub> ≤ 125°C 2.65V ≤ V <sub>IN</sub> ≤ 7V 10mA ≤ I <sub>o</sub> ≤ 800mA	1.225	1.250	1.275	V
Output Voltage	V <sub>OUT</sub>	GS1117-2.5, V <sub>IN</sub> = 5V	2.48	2.5	2.53	V
		GS1117-2.85, V <sub>IN</sub> = 5V	2.82	2.85	2.88	V
		GS1117-3.3, V <sub>IN</sub> = 5V	3.26	3.30	3.33	V
		GS1117-5, V <sub>IN</sub> = 7V	4.95	5.00	5.05	V
		GS1117	0.98V <sub>N</sub>	V <sub>N</sub>	1.02V <sub>N</sub>	V
Line Regulation	REG <sub>line</sub>	2.65V ≤ V <sub>IN</sub> ≤ 7V T <sub>J</sub> = 25°C		0.015	0.2	% V <sub>O</sub>
		0°C ≤ T <sub>J</sub> ≤ 125°C		0.02	0.2	% V <sub>O</sub>
Load Regulation	REG <sub>load</sub>	10mA ≤ I <sub>o</sub> ≤ 800mA T <sub>J</sub> = 25°C		0.1	0.3	% V <sub>O</sub>
		0°C ≤ T <sub>J</sub> ≤ 125°C		0.2	0.4	% V <sub>O</sub>
Dropout Voltage	V <sub>DROP</sub>	0°C ≤ T <sub>J</sub> ≤ 125°C I <sub>o</sub> = 800mA		1.2	1.4	V
		I <sub>o</sub> = 500mA		1.19	1.35	V
		I <sub>o</sub> = 100mA		1.15	1.30	V

**Notes:**

- (1) All parameters, except nominal output voltage are specified for the variable voltage version, allowing a wider V<sub>in</sub> Range.  
The specified limits also apply for the fixed voltage versions over the allowable input voltage range: GS1117-2.5 (3.9V - 7.0V), GS1117-2.85 (4.25V - 7.0V), GS1117 - 3.3 (4.75V - 7.0V), GS1117-5 (6.4V - 7.0V).
- (2) To maintain the specified junction temperatures, low duty cycle pulse testing is required for most parameters.



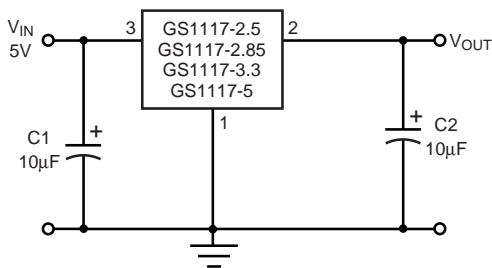
**Electrical Characteristics**<sup>(1)</sup>  $T_J = 25^\circ\text{C}$ <sup>(2)</sup>,  $V_{IN} = 5\text{V}$ ,  $I_o = 10\text{mA}$  unless otherwise noted.

Parameter	Symbol	Test Conditions	Min	Typ	Max	Unit
Output Current	$I_o$	$0^\circ\text{C} \leq T_J \leq 125^\circ\text{C}$	0.85			A
Adjust Pin Current	$I_{adj}$	$2.65 \leq V_{in} \leq 7\text{V}$ $10\text{mA} \leq I_o \leq 800\text{mA}$ $0^\circ\text{C} \leq T_J \leq 125^\circ\text{C}$		55	120	$\mu\text{A}$
Adjust Pin Current Change	$\Delta I_{adj}$	$2.65 \leq V_{in} \leq 7\text{V}$ $10\text{mA} \leq I_o \leq 800\text{mA}$ $0^\circ\text{C} \leq T_J \leq 125^\circ\text{C}$		0.2	5	$\mu\text{A}$
Temperature Stability	$T_S$	$I_o = 0.5\text{A}$ $0^\circ\text{C} \leq T_J \leq 125^\circ\text{C}$		0.8		$\%V_o$
Minimum Load Current Adjustable Version	$I_{L\text{MIN}}$	$0^\circ\text{C} \leq T_J \leq 125^\circ\text{C}$		3	10	mA
Quiescent Current Fixed Voltage Version	$I_Q$	$0^\circ\text{C} \leq T_J \leq 125^\circ\text{C}$		10	14	mA
RMS Output Noise	N	$10\text{Hz} \leq f \leq 10\text{kHz}$		0.003		$\%V_o$
Ripple Rejection Ratio	RR	$f = 120\text{Hz}$ , $C_o = 25\mu\text{F}$ $C_{adj} = 25\mu\text{F}$	60	68		dB
Thermal Regulation	$R_{TH}$	$T_A = 25^\circ\text{C}$ , 30ms Pulse		0.02	0.05	$\%/W$
Long Term Stability		$T_A = 125^\circ\text{C}$ , 1000 Hrs		0.3		$\%V_o$

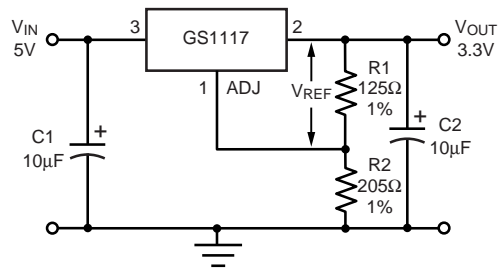
**Notes:**

- (1) All parameters, except nominal output voltage are specified for the variable voltage version, allowing a wider  $V_{in}$  Range. The specified limits also apply for the fixed voltage versions.
- (2) To maintain the specified junction temperatures, low duty cycle pulse testing is required for most parameters.

**Typical Application Circuit**



**Fixed Voltage Regulator**



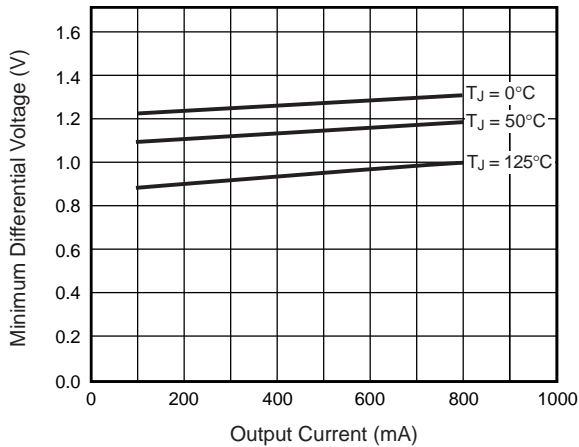
**Adjustable Voltage Regulator**

**Notes:**

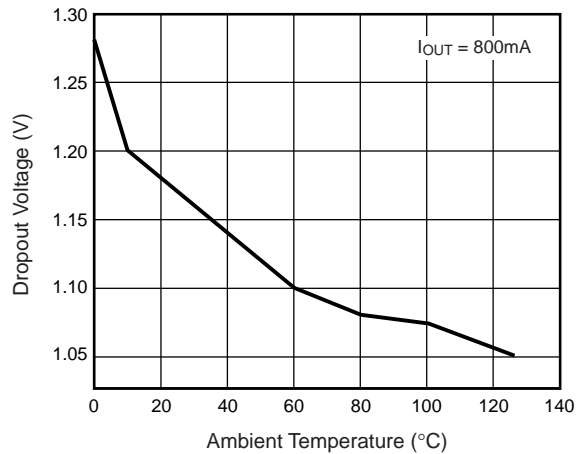
- $V_{REF} = V_{OUT} - V_{ADJ} = 1.25\text{V}$  (typ.)
- $V_{OUT} = V_{REF} \times (1 + R2/R1) + I_{ADJ} \times R2$
- $I_{ADJ} = 55\mu\text{A}$  (typ.)
- (1) C1 needed if device is far away from filter capacitors
- (2) C2 required for stability

**Ratings and Characteristic Curves** ( $T_A = 25^\circ\text{C}$  unless otherwise noted)

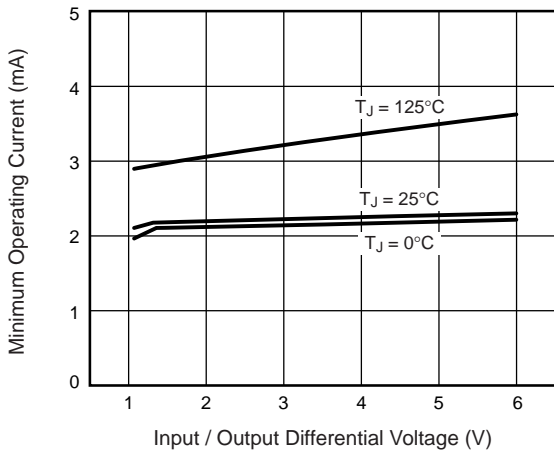
**Fig. 1 – Dropout Voltage**



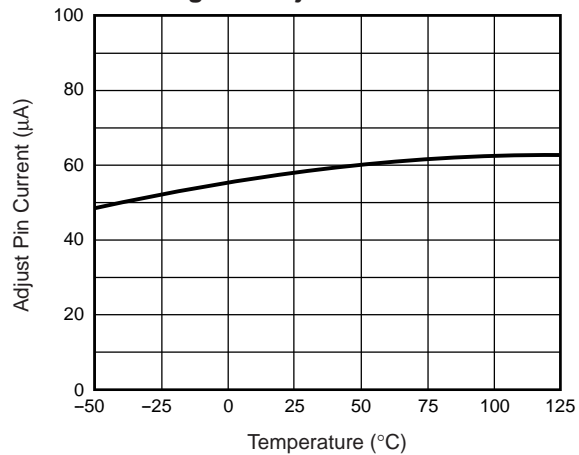
**Fig. 2 – Dropout Voltage v.s. Temperature**



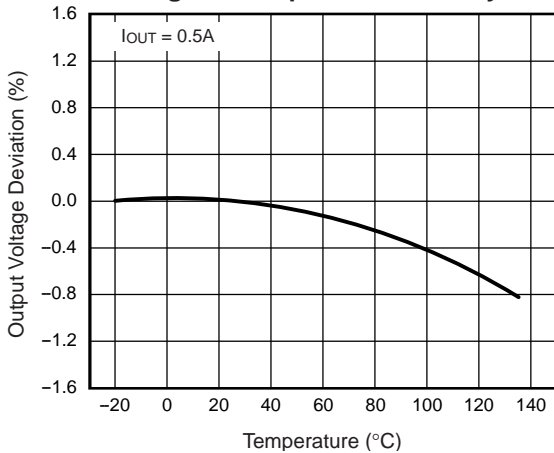
**Fig. 3 – Minimum Load Current (Adjustable Version)**



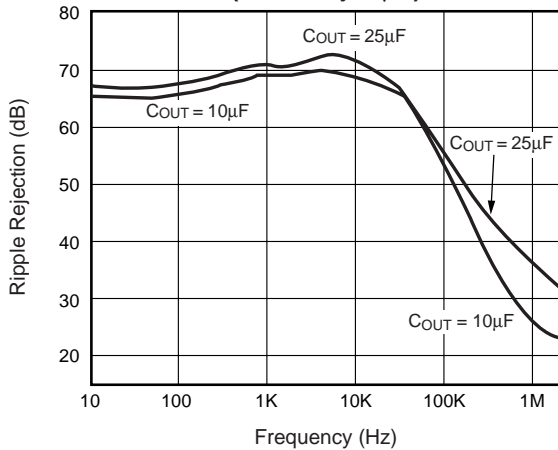
**Fig. 4 – Adjust Pin Current**



**Fig. 5 – Temperature Stability**



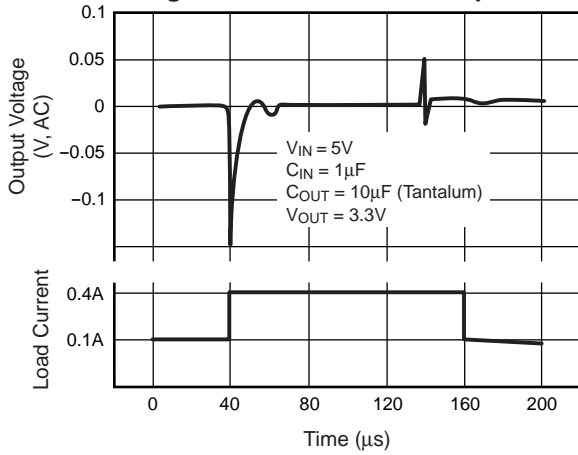
**Fig. 6 – Ripple Rejection (with  $C_{adj} 25\mu\text{F}$ )**



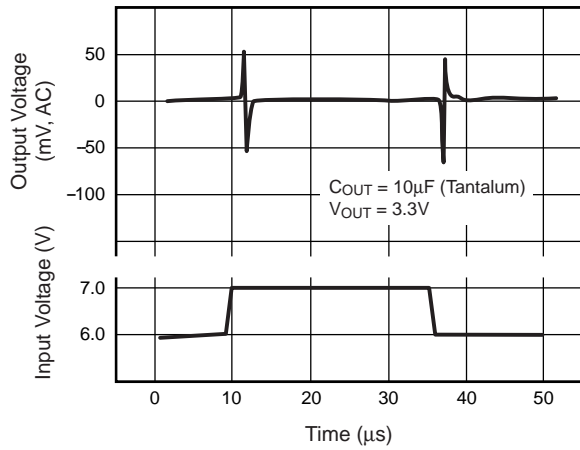


**Ratings and  
Characteristic Curves** ( $T_A = 25^\circ\text{C}$  unless otherwise noted)

**Fig. 7 – Load Transient Response**



**Fig. 8 – Line Transient Response**



**Ordering Information**

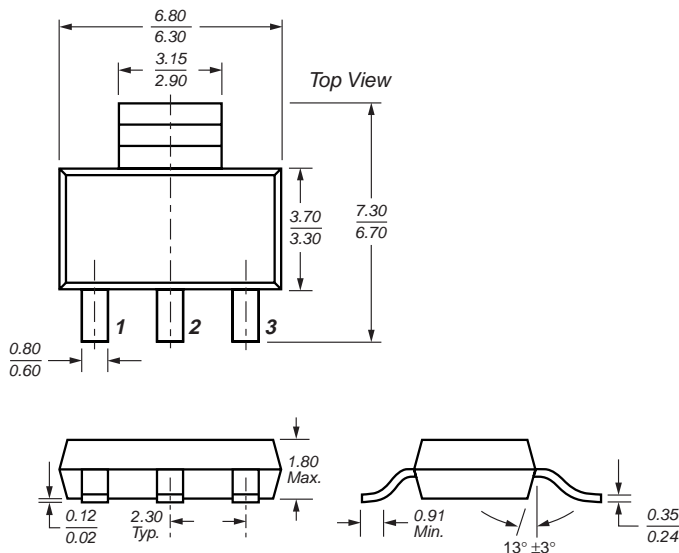
**GS1117 Cxx-xxx**

Output Voltage  
Default: Adj.  
2.5: 2.5V  
2.85: 2.85V  
3.3: 3.3V  
5: 5.0V

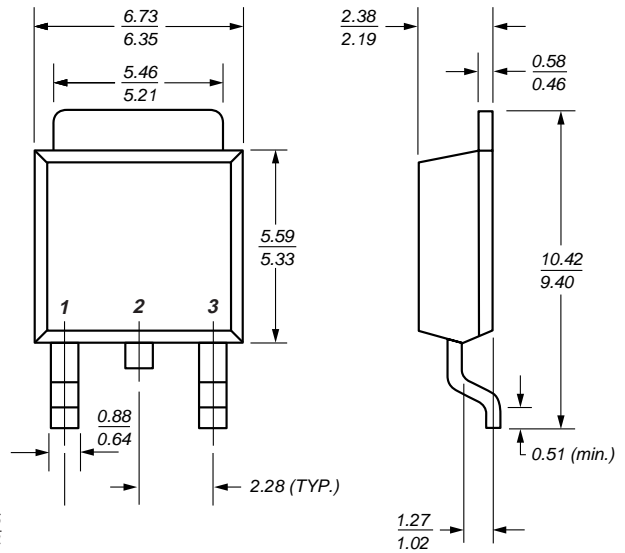
Package Type  
ST: SOT-223  
T: TO-220  
M: TO-263  
E: TO-252

Case Outlines

SOT-223

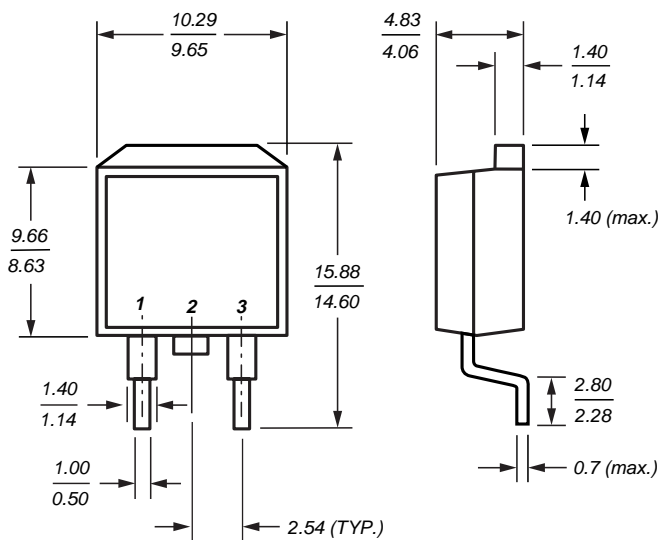


TO-252 (DPAK)



Dimensions in millimeters

TO-263



TO-220

