

10/100BASE-TX Dual Ports DIL Package Magnetics Module

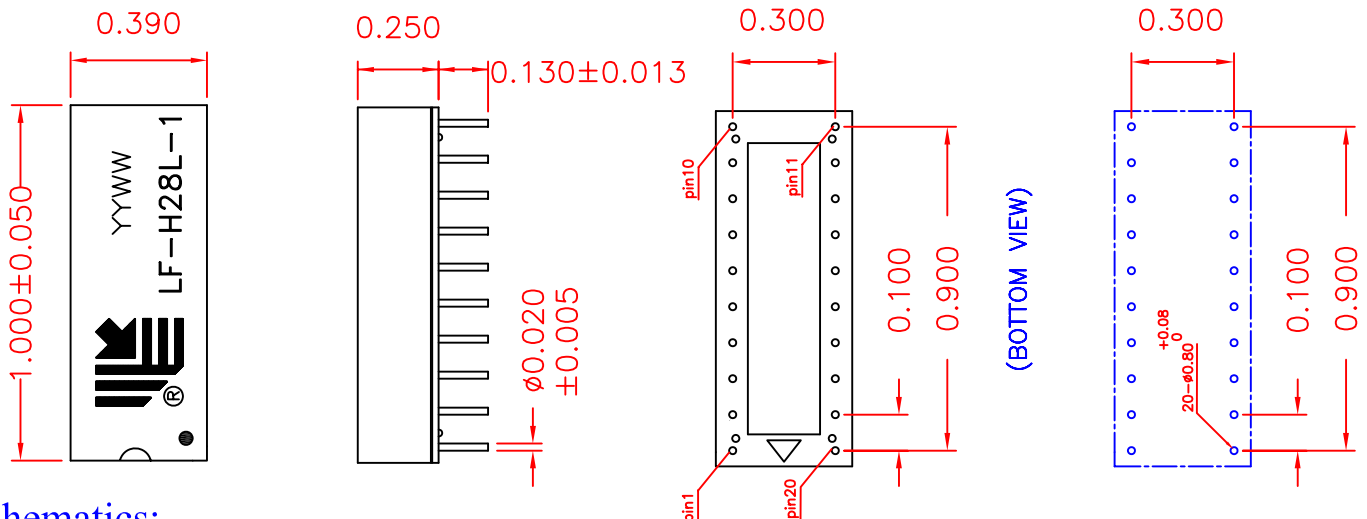
RoHS Compliant at Peak Wave Solder Temperature rating 260°C

Electrical Specifications: @25°C

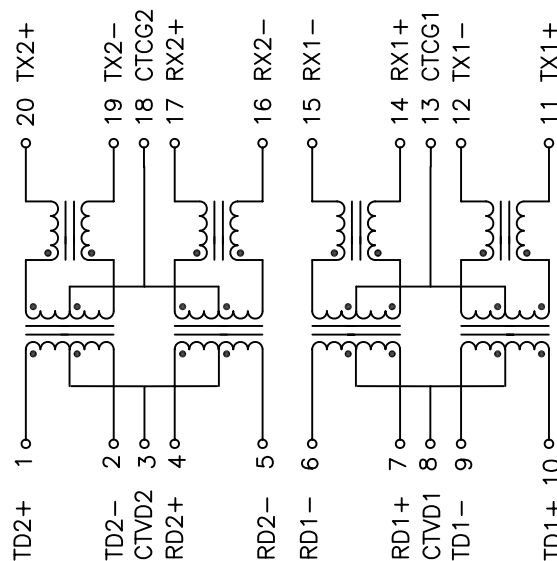
Turns Ratio: PRI/SEC TX 1CT:1CT ±3% RX 1CT:1CT ±3%
 Isolation Voltage: 1500 Vrms (Input to Output)
 OCL: 350uH Minimum @100KHz 100mV 8mADC
 Leakage Inductance: 0.4uH Maximum @100KHz 100mV PRI Shorted
 PRI/SEC Cw/w: 40pF Typical @100KHz 100mV
 Rise Time: 2.5ns Typical
 Insertion Loss: -1.0dB Maximum @100KHz - 100MHz
 Return Loss: -18dB Minimum @1MHz-30MHz
 -15dB Minimum @40MHz-50MHz
 -12dB Minimum @60MHz - 80MHz
 CMRR: -40dB Typical @100KHz - 100MHz
 Crosstalk: -32dB Minimum @100KHz-100MHz



Mechanicals:



Schematics:



Suggested PC Board Layout

LANKom Electronics Co., Ltd.

*Specification subject to change without notice

P/N: LF-H28L-1	DIMENSIONS IN INCH	Unless otherwise specified Dim. Tolerances are: .xxx ±0.010	REV: B	DRWN:Jacob	DATE:08/04/01
	SCALE: NONE		PAGE:1/1	CHECK:Arthur	DATE:08/04/01
TEL: 886-2-6606-9777 • FAX: 886-2-6606-9555 • E-mail: sales@lankom.com.tw				APPD:Jarly	DATE:08/04/01