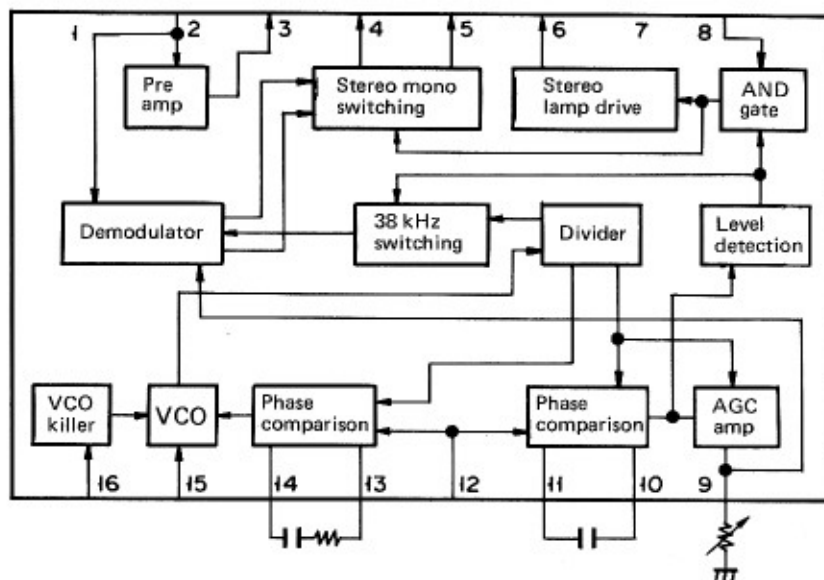


APPLICATION	PILOT CANCELLER MPX DECODER	NAME	PA1001
MODEL	TX-9800	TYPE	SILICON MONOLITHIC

### BLOCK DIAGRAM



### PIN FUNCTIONS

Pin No.	Standard Voltage (V)	Pin Name	Function and Operation
1	13	VCC	
2	3.1	PRE IN	Composite signal input
3	4.9	PRE OUT	Composite signal output
4	8.85	L OUT	Lch output
5	8.85	R OUT	Rch output
6	13/1	ST IND	Stereo indicator output 1V → lighted
7	0	GND	
8	0/1.5	ST AUTO IN	Auto/mono switching 1.5V → mono
9	0.8	PILOT CANCEL	Pilot canceller
10	2.3	PILOT LEVEL	Filter
11	2.3	PILOT LEVEL	
12	2.38	PLL IN	Composite signal input
13	2.4	PLL LPF	Filter
14	2.4	PLL LPF	
15	3.4	VCO	VCO 76 kHz
16	0/more than 2V	VCO KILL	VCO KILLER IN (VCO stop → 2V in modes other than FM)

No signal voltage

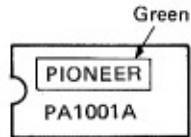
**FAMILY**

PA1001-A



PA1001 improved performance part

PA1001-AG



PA1001-A SN selected part