

TEAC

SERVICE MANUAL

SR-2/SR-2DAB

Hi-Fi Table Radio for iPod/iPhone



DAB
Digital Audio Broadcasting
SR-2DAB only

CONTENTS

1. SPECIFICATIONS	2
2. BRIEF OVERVIEW OF LSI	3
3. EXPLODED VIEWS AND PARTS LISTS	6
4. PC BOARDS AND PARTS LISTS (SR-2)	9
5. PC BOARDS AND PARTS LISTS (SR-2DAB)	13
6. INCLUDED ACCESSORIES	17

NOTES

- PC boards shown are viewed from parts side.
- The parts with no reference number or no parts number in the exploded views are not supplied.
- As regards the resistors and capacitors, refer to the circuit diagrams supplied prior to this manual.
- ⚠ Parts marked with this sign are safety critical components. They must be replaced with designated components.
- Destination of product is expressed by [] mark and ensure exact replacement:

SR-2: [EUR] - Europe, [JPN] - Japan
SR-2DAB: [AUS] - Australia, [EUR] - Europe, [UK] - UK

1. SPECIFICATIONS

TUNER Section (SR-2)

Frequency Range FM: 76.0 MHz to 108 MHz [JPN]
FM: 87.50 MHz to 108.00 MHz [EUR]
AM: 522 kHz to 1,620 kHz

TUNER Section (SR-2DAB)

Frequency Range FM: 76.0 MHz to 108 MHz
DAB Frequency Range Band III: 5A to 13F
(174.928 MHz to 239.200 MHz)

SPEAKER SYSTEM Section

Type 57 mm x 2
Impedance 4 ohms

GENERAL

Total Output Power 4 W + 4 W
Power Requirement AC 100V, 50/60 Hz [JPN]
AC 230 V, 50 Hz [AUS], [EUR], [UK]
Power Consumption25 W (Standby 0.7 W) - SR-2
25 W (Standby 0.9 W) - SR-2DAB
Dimension (W x H x D) 322 x 112.5 x 188 mm
Weight (Net) 2.7 kg

Standard Accessories

Remote Control Unit for SR-2 (RC-1228) x 1 [JPN]
(RC-1229) x 1 [EUR]
Remote Control Unit for SR-2DAB (RC-1234) x 1
Battery for Remote Control Unit (CR2032) x 1
Alkaline Battery for Memory Backup (AAA) x 2
AM loop antenna x 1 (SR-2 only)
FM antenna x 1 (SR-2 only)
Dock adapter x 4
Stereo mini plug cable x 1
Mini plug/pin plug video cable x 1
Owner's Manual x 1
Warranty Card x 1

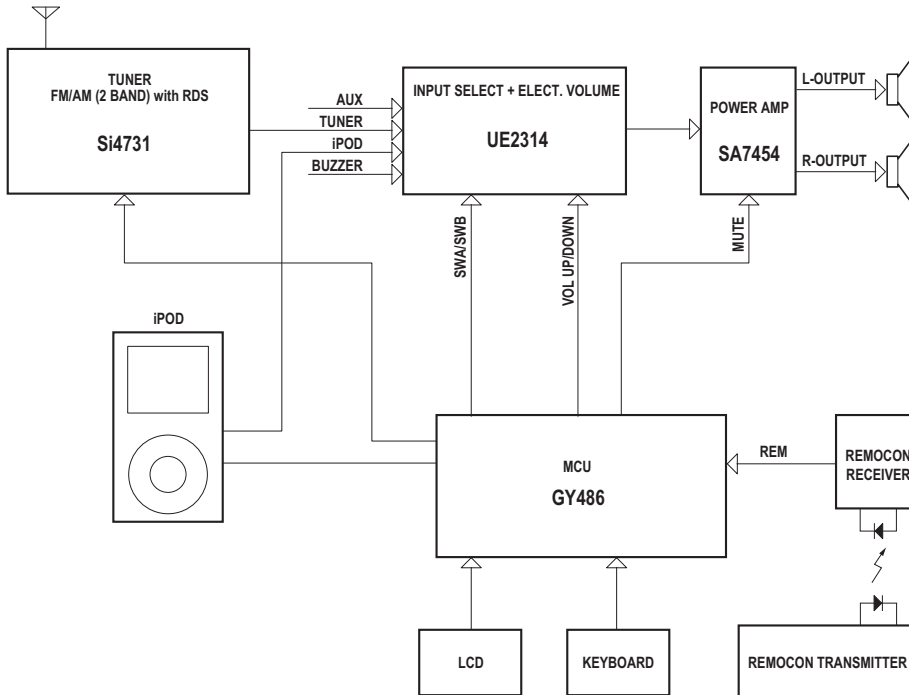
CAUTION:

Danger of explosion if battery is incorrectly replaced.
Replace only with the same or equivalent type.

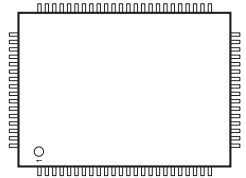
2. BRIEF OVERVIEW OF LSI

MCU designed for Alarm Clock Radio with iPod/iPohe Docking GY486 (Genny), PCBA-MAIN SR-2 U16

System Block Diagram

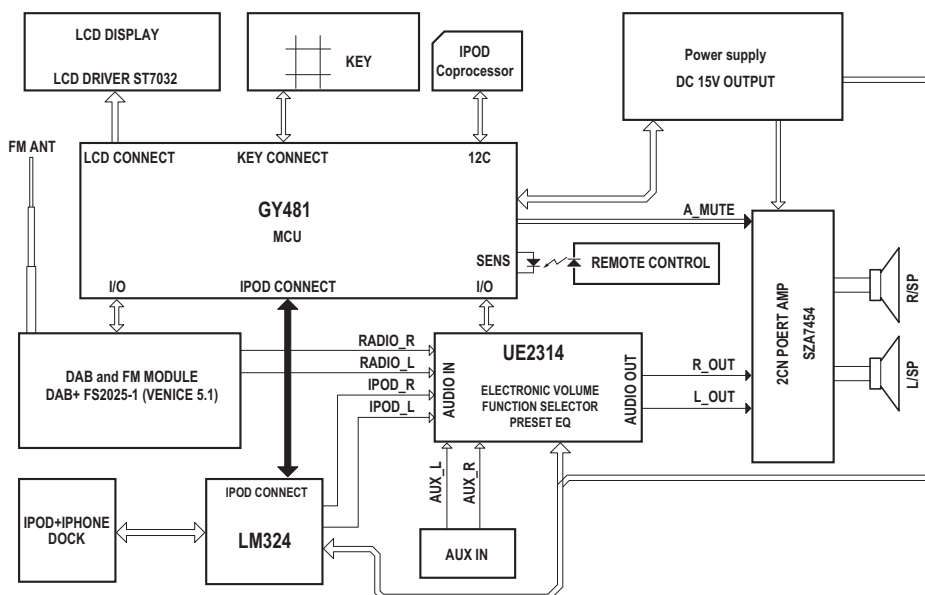


QFP-80 pin plastic shrink

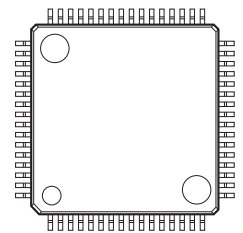


MCU designed for Alarm Clock Radio with DAB and iPod/iPohe Docking Y481 (Genny), PCBA-MAIN SR-2DAB U200

System Block Diagram



LQFP-64 pin plastic shrink

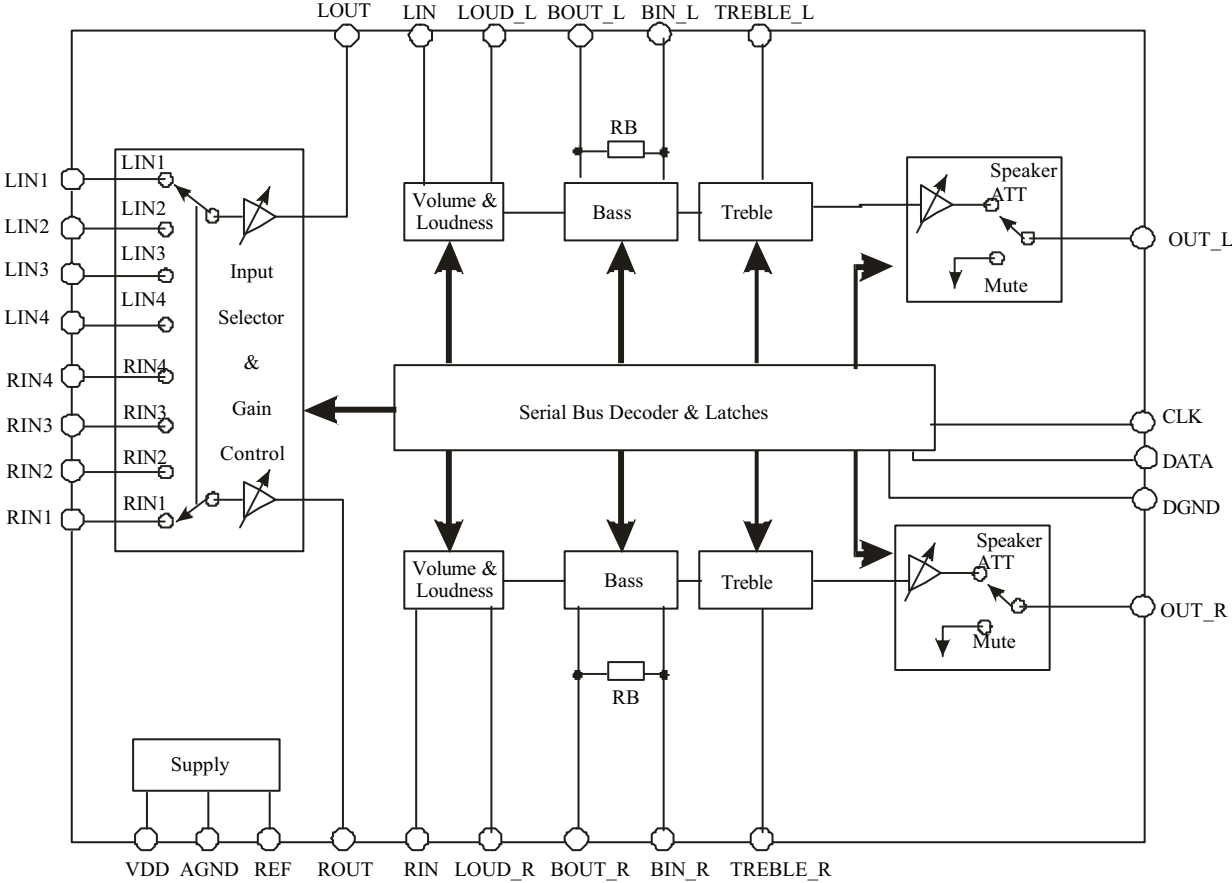


SR-2/SR-2DAB

4-Channel Audio Processor for Input Select and Volume, Base, Treble and Balance controls.

ET2314 (ETEK), PCBA-MAIN SR-2 U6, SR-2DAB U102

Block Diagram



Pin Configurations (Top View)

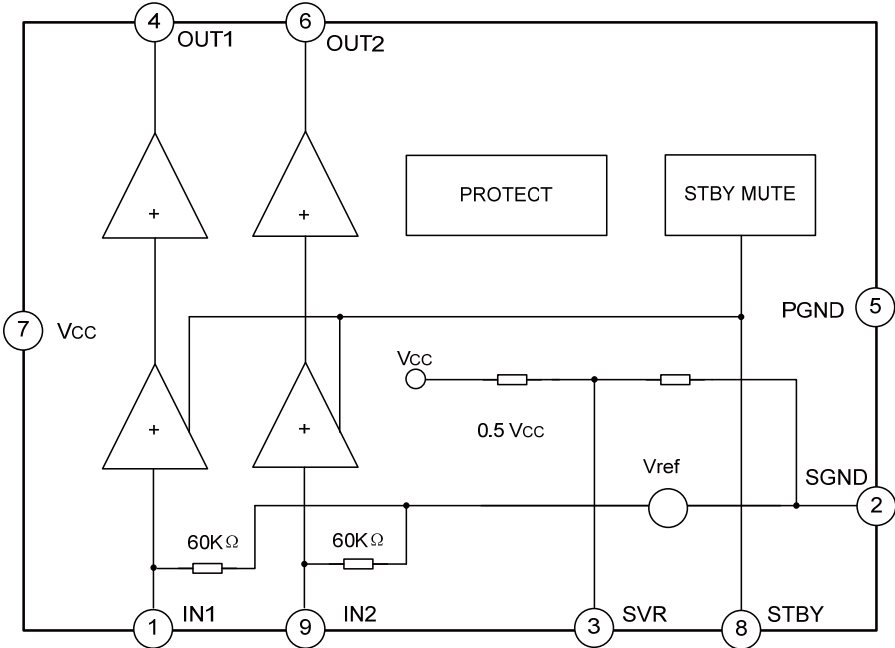
VDD	1	28	REF
AGND	2	27	CLK
TREB_L	3	26	DATA
TREB_R	4	25	DGND
RIN	5	24	OUT_L
ROUT	6	23	OUT_R
LOUD_R	7	22	BOUT_R
RIN4	8	21	BIN_R
RIN3	9	20	BOUT_L
RIN2	10	19	BIN_L
RIN1	11	18	LOUT
LOUD_L	12	17	LIN
LIN4	13	16	LIN1
LIN3	14	15	LIN2

SOP28(ET2314)

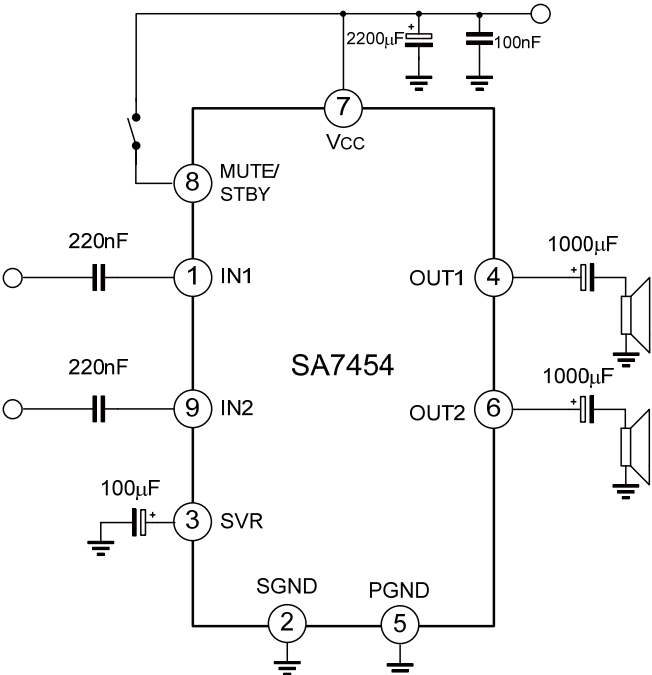
SR-2/SR-2DAB

6W x 2 Audio Power Amplifier SA7454 (SILAN), PCBA-MAIN SR-2 U15, SR-2DAB U100

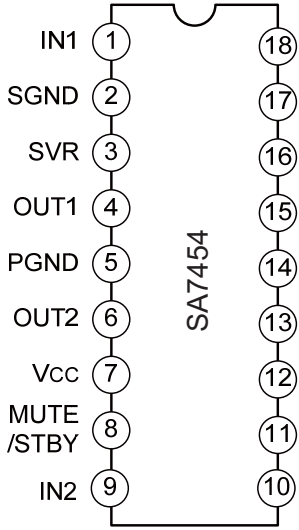
Block Diagram



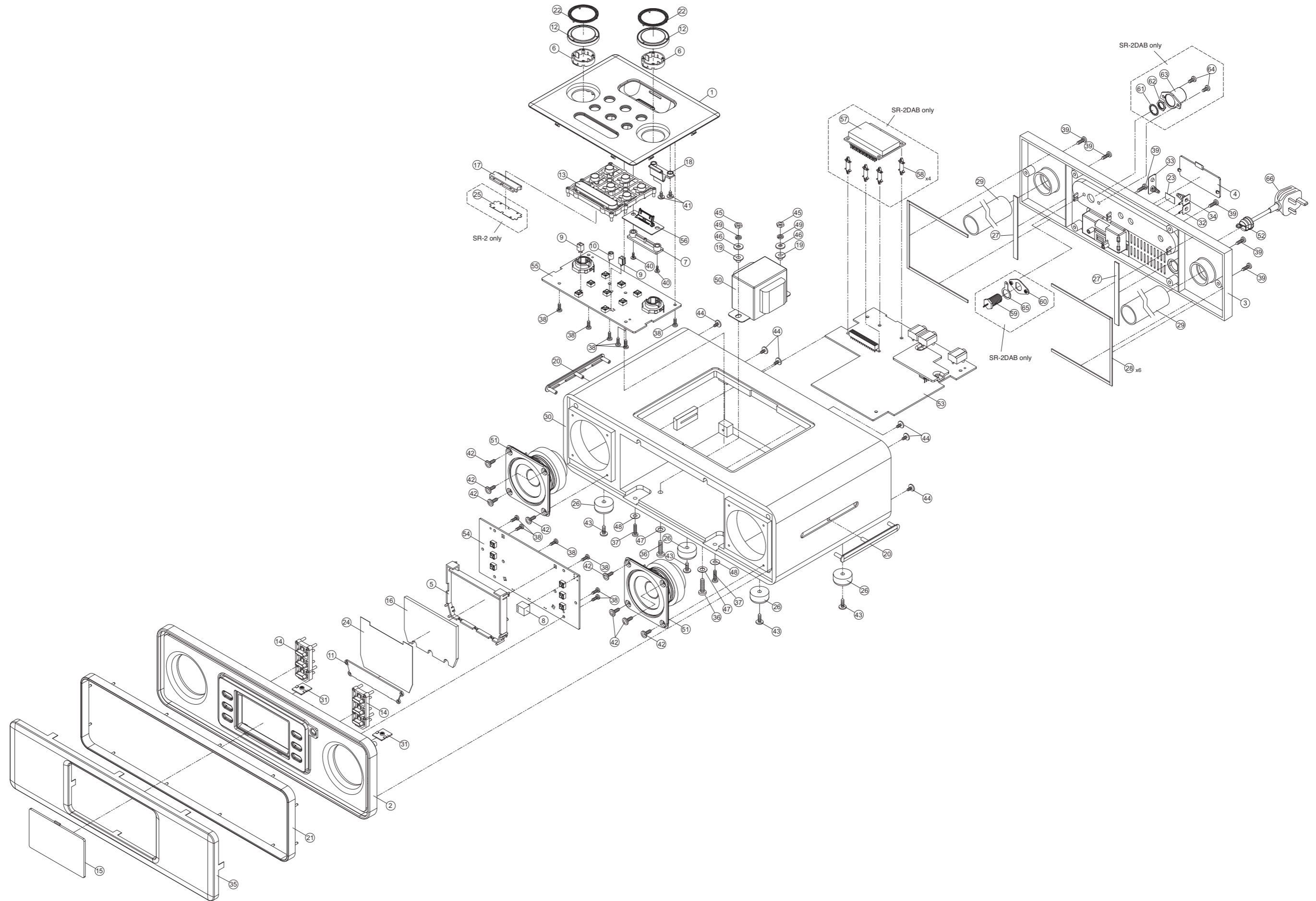
Equivalent Circuit



Pin Configurations (Top View)



3. EXPLODED VIEWS AND PARTS LISTS



EXPLODED VIEW

REF. NO.	PARTS NO.	DESCRIPTION	REMARKS
1	56-02SR45I00B30	TOP CABINET (T-N26-M) BLACK [JPN]	SR-2
	56-02SR45I00B40	TOP CABINET (T-N87-M) TIMBER [JPN]	SR-2
	56-02SR45I00B50	TOP CABINET (T-N26-M) BLACK [EUR]	SR-2
	56-02SR45I00B60	TOP CABINET (T-N87-M) TIMBER [EUR]	SR-2
	56-02SR45I00B20	TOP CABINET	SR-2DAB
2	56-04SR45I00B31	FRONT CABINET (T-N26-M) BLACK [JPN]	SR-2
	56-04SR45I00B41	FRONT CABINET (T-N87-M) TIMBER [JPN]	SR-2
	56-04SR45I00B51	FRONT CABINET (T-N26-M) BLACK [EUR]	SR-2
	56-04SR45I00B61	FRONT CABINET (T-N87-M) TIMBER [EUR]	SR-2
	56-04SR45I00B21	FRONT CABINET	SR-2DAB
3	56-05SR45I00B32	REAR CABINET (T-N26-M) BLACK [JPN]	SR-2
	56-05SR45I00B42	REAR CABINET (T-N26-M) TIMBER [JPN]	SR-2
	56-05SR45I00B52	REAR CABINET (T-N26-M) BLACK [EUR]	SR-2
	56-05SR45I00B62	REAR CABINET (T-N26-M) TIMBER [JPN]	SR-2
	56-05SR45I00B21	REAR CABINET	SR-2DAB
4	56-06SR45I00B10	BATTERY DOOR	
5	56-07SR45I00900	LCD BRACKET (WHITE)	
6	56-07SR45I10800	ROTATE KNOB BRACKET (GRAY) TIMBER	SR-2 only
	56-07SR45I10B00	ROTATE KNOB BRACKET BLACK	
7	56-07SR45I20800	IPOD PCB BRACKET (GRAY) TIMBER	SR-2 only
	56-07SR45I20B00	IPOD PCB BRACKET BLACK	
8	56-07SR45I30800	REMOTE SENSOR BRACKET (GRAY) TIMBER	SR-2 only
	56-07SR45I30B00	REMOTE SENSOR BRACKET BLACK	
9	56-07SR45I40800	SNOOZE LED BRACKET (GRAY) TIMBER	SR-2 only
	56-07SR45I40B00	SNOOZE LED BRACKET BLACK	
10	56-07SR45I50800	TAG LED BRACKET (GARY) TIMBER	SR-2 only
	56-07SR45I50B00	TAG LED BRACKET BLACK	
11	56-22SR45I00810	BLACK COVER FOR BACK LIGHT TIMBER	SR-2 only
	56-23SR45I00B00	BLACK COVER FOR BACKLIGHT BLACK	
12	56-54SR45I00820	ROTATE KNOB (T-N87-M) TIMBER	SR-2 only
	56-54SR45I00B10	ROTATE KNOB (T-N26-M) BLACK	
13	56-54SR45I10030	TOP FUNCTION KEY GROUP TIMBER	SR-2 only
	56-54SR45I10020	TOP FUNCTION KEY GROUP BLACK	
14	56-54SR45I20810	FRONT FUNCTION KEY	
15	56-57SR45I00020	DISPLAY LENS (PMMA) TIMBER	SR-2 only
	56-57SR45I00010	DISPLAY LENS BLACK	
16	56-57SR45I10010	BACK LIGHT LENS FOR LCD	
17	56-57SR45I20000	BACK LIGHT LENS FOR SNOOZE	
18	56-64SR45I00800	IPOD LATCH (GRAY) TIMBER	SR-2
	56-57SR45I20000	IPOD LATCH BLACK	SR-2
	56-64SR45I00B00	IPOD LATCH	SR-2DAB
19	56-68KT11000010	PLASTIC WASHER	
20	56-71SR45I0G000	SIDE ORNAMENT BAR	
21	56-78SR45I00810	FRONT ORNAMENT FRAME	
22	56-78SR45I1G000	ROTATE KNOB RING	
23	57-08SR45I00020	PVC PLATE 13.5X8X0.3 mm	
24	57-26SR45I00020	FILTER PLATE (FOR LCD BACK LIGHT)	
25	57-26SR45I00120	FILTER PLATE (FOR SNOOZE)	SR-2 only
26	58-263203100020	RUBBER FOOT 20X10 mm	
27	58-58SR45I00220	EVA CUSHION -3 80.5X6X1.5 mm (W/TAPE)	
28	58-58SR45I00320	EVA CUSHION -4 87x3x1.5 mm (W/TAPE)	
29	58-64SR00200020	PAPER TUBE	
30	58-73SR00200020	WOODEN BOX (F-2905-28) BLACK [JPN]	SR-2
	58-73SR00200120	WOODEN BOX (A-62304-137) TIMBER [JPN]	SR-2
	58-73SR00200320	WOODEN BOX	SR-2DAB
	58-73SR00200420	WOODEN BOX (F-2905-911) BLACK [EUR]	SR-2
	58-73SR00200520	WOODEN BOX (A-62304-137) TIMBER [EUR]	SR-2

EXPLODED VIEW

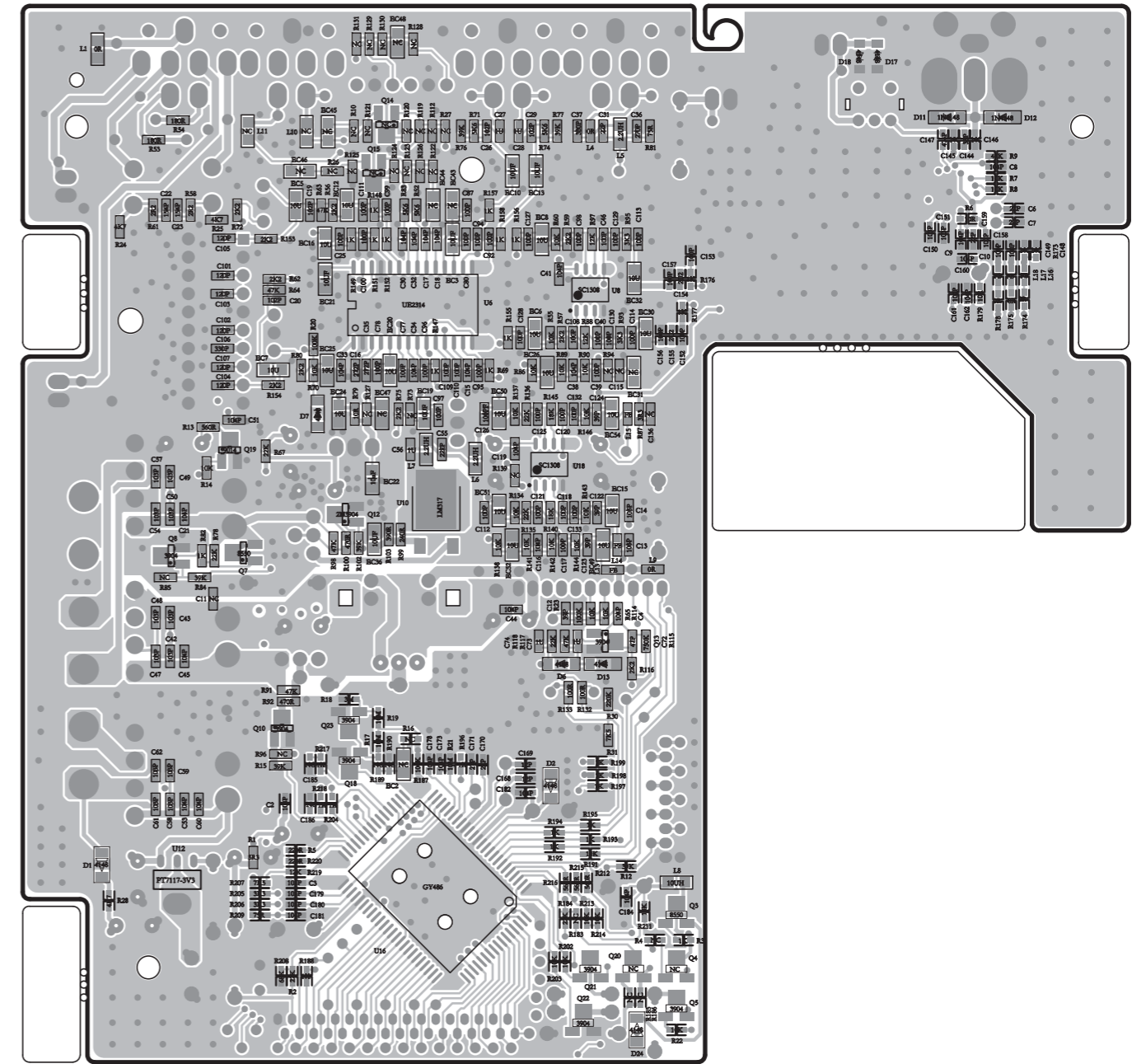
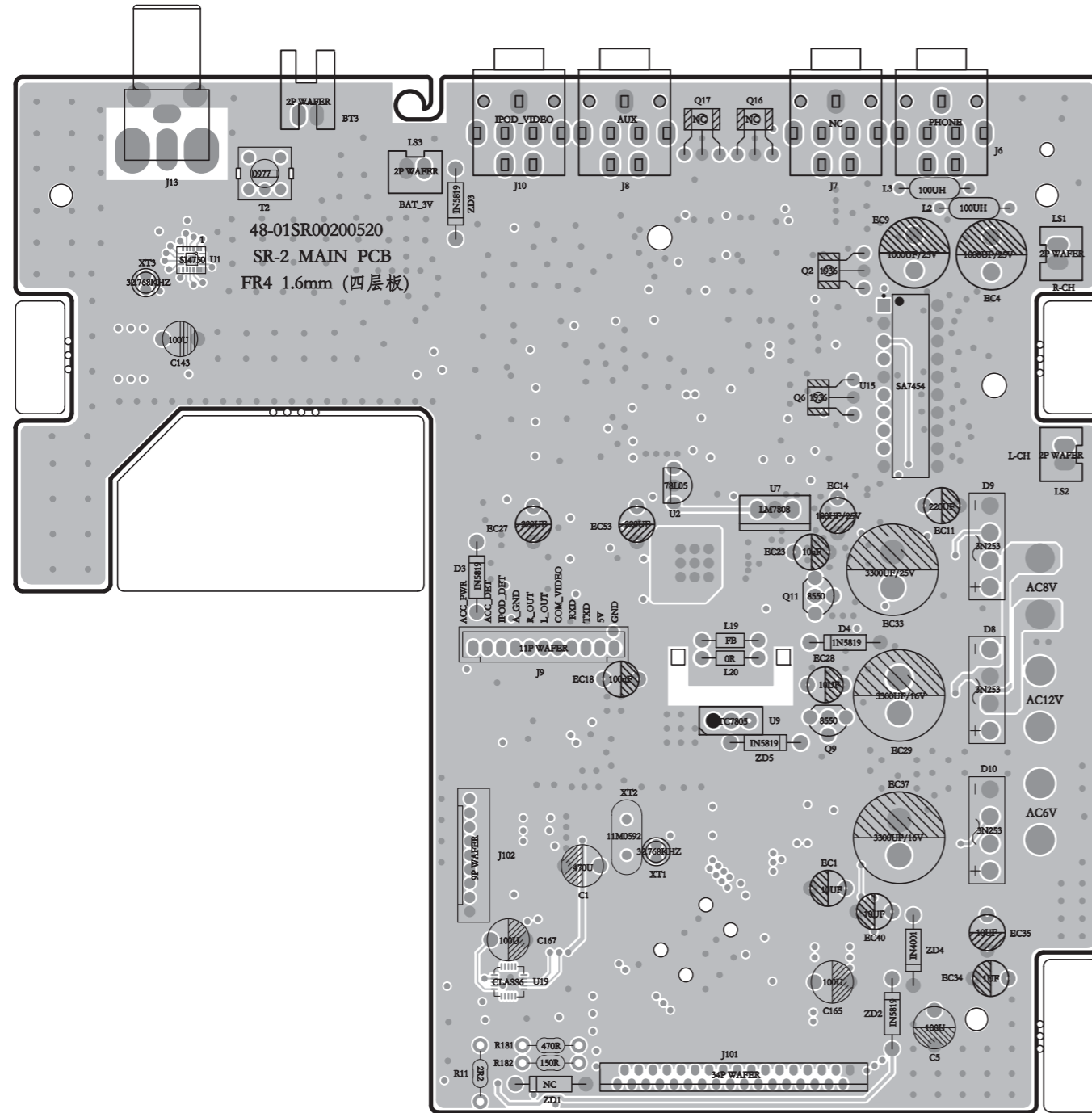
REF. NO.	PARTS NO.	DESCRIPTION	REMARKS
31	61-11M352000020	FIXING PLATE 16X14X0.8 mm	
32	61-25CR11700020	BATTERY PLATE (+)	
33	61-25CR11700120	BATTERY PLATE (+,-)	
34	61-26CR11700020	BATTERY PLATE (-)	
35	61-91SR45I00120 61-91SR45I00020	SPEAKER GRILL (T-N87-M) TIMBER SPEAKER GRILL (T-N26-M) BLACK	SR-2 only
36	66-120240216121 66-120240225121	MACHINE SCREW MS/BH 4x16 (BLACK) MACHINE SCREW MS/BH 4X25 mm (BLACK) [EUR]	SR-2
37	66-120930214121	MACHINE SCREW MS/CH 3X14 mm (BLACK)	
38	66-140226210321	SELF-TAPPING SCREW TA/BH 2.6X10 mm	
39	66-140230212121	SELF-TAPPING SCREW TA/BH 3X12 mm (BLACK)	
40	66-140820180321	SELF-TAPPING SCREW TA/WH 2X8 mm	
41	66-140826180321	SELF-TAPPING SCREW TA/WH 2.6X8 mm	
42	66-140830212321	SELF-TAPPING SCREW TA/WH 3X12 mm	
43	66-141430212121 66-141430212183	SCREW TA/BWH 3X12 mm (HEAD 10 mm) (BLACK) SCREW TA/BWH 3X12 mm (HEAD 10 mm)	SR-2 SR-2DAB
44	66-151426180221	SCREW TWP/BO 2.6X8 MC	
45	67-021400000020	NUT M4 mm	
46	68-112403101000	METAL WASHER 4X10X1 mm	
47	68-122523100501	FIBRE WASHER 5.2X10X0.5 mm (BLACK)	
48	68-152423100200	PVC WASHER 4.2X10X0.25 mm	
49	68-312400000000	SPRING WASHER M4	
50	18-201SR00202000 18-205SR00200000	TRANSFORMER EI48 AC 100 V [JPN] TRANSFORMER EI48x30 AC 230 V [AUS], [EUR], [UK]	SR-2 SR-2/SR-2DAB
51	19-021062500120 19-021062500220	SPEAKER 2.25" 4 OHM 5 W [JPN] SPEAKER 2" 4 OHM 5 W [EUR]	
52	43-5000000000020	AC CORD BUSHING T=2.5 mm #4K4	
53	05-SR0020100000 05-SR0020100010 05-SR0020100020	PCBA-MAIN [EUR] PCBA-MAIN [JPN] PCBA-MAIN	SR-2 SR-2 SR-2DAB
54	05-SR0020400000 05-SR0020400010 05-SR0020400021	PCBA-DIPSLAY BLACK PCBA-DISPLAY TIMBER PCBA-DISPLAY BLACK	SR-2 SR-2 SR-2DAB
55		PCBA-KEY BLACK (SR-2) PCBA-KEY TIMBER (SR-2) PCBA-KEY BLACK (SR-2DAB)	United on DISPLAY PCBA, See page 11 United on DISPLAY PCBA, See page 11 United on DISPLAY PCBA, See page 15
56		PCBA-IPOD (SR-2) PCBA-IPOD (SR-2DAB)	United on DISPLAY PCBA, See page 11 United on DISPLAY PCBA, See page 15
57	37-09SR00100020	DAB+ MODULE	SR-2DAB
58	56-07DR19910900	PCB SPACER	SR-2DAB
59	43-42DX220I0020	DAB ANT JACK	SR-2DAB
60	61-11DX220I0020	STEEL PLATE T: 0.8 mm	SR-2DAB
61		METAL WASHER, DAB ANT	SR-2DAB Supplied with Ref. No. 59
62		NUT, DAB ANT	SR-2DAB Supplied with Ref. No. 59
63	56-22DX22B00B10	FM ANT COVER	SR-2DAB
64	66-320330180121	SCREW MS/PH 3x8 mm (DIA: 5.3 mm) BLK.	SR-2DAB
65	61-874400000020	SOLDARING TAG	SR-2DAB
66	45-114200601006 45-114200500061 45-114200510008 45-114183100060	AC CORD SAA APP 2 M [AUS] AC CORD VDE APP 2 M [EUR] AC CORD BS PLUG 2 M [UK] AC CORD JIS APP 2 M [JPN]	SR-2DAB SR-2/SR-2DAB SR-2DAB SR-2

4. PC BOARDS AND PARTS LISTS (SR-2)

MAIN PCB

Side A

Side B

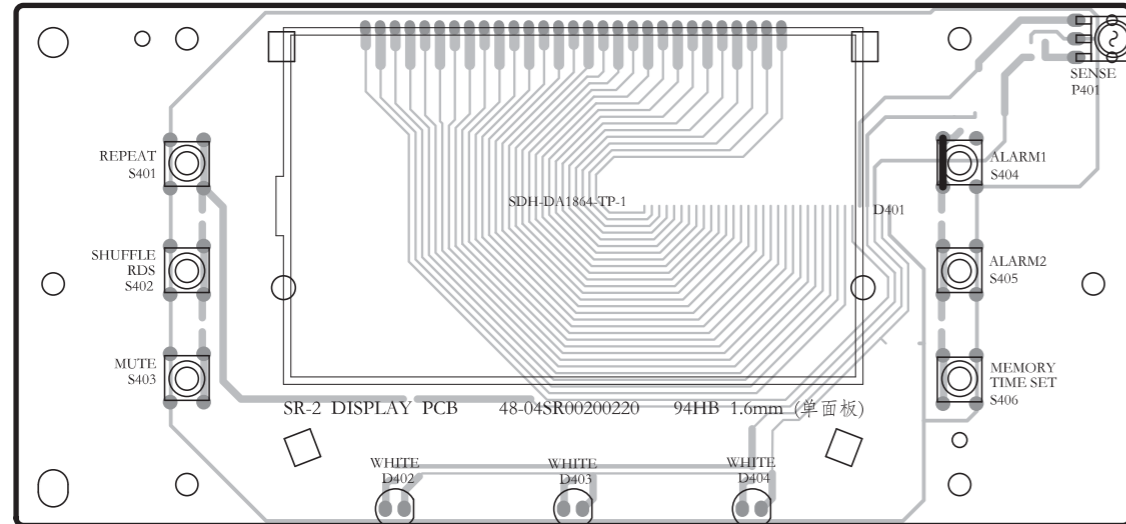


MAIN PCB ASSY (SR-2)

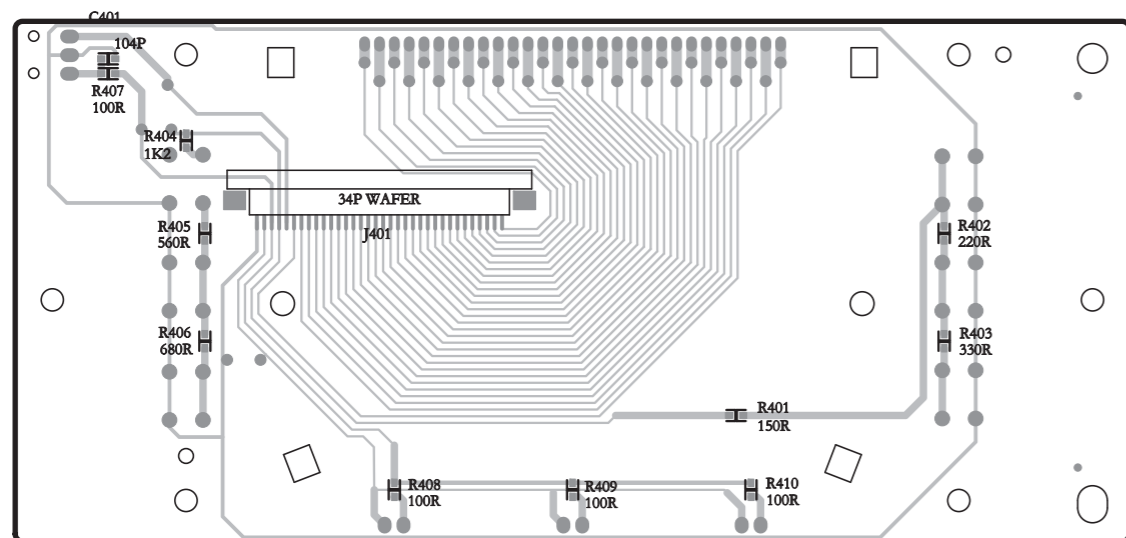
REF. NO.	PARTS NO.	DESCRIPTION	REMARKS
	05-SR0020100000	PCBA-MAIN [EUR]	
	05-SR0020100010	PCBA-MAIN [JPN]	
	48-01SR00200520	MAIN PCB 154x147x1.6 mm FR4	
BT3	43-022250120221	WAFER 2.5mm 2P 90C (BLACK)	FOR AM ANTENNA
C1	26-016470750116	E.CAP 470UF 16V +-20% (PH) TAPING 85C	
C5,143,165,167	26-016100850126	E.CAP 100UF 25V +-20% (TAPING) 85C	
EC14,18			
D1,2,6,7,11 ~ 13	12-1N41480000P1	SMD DIODE 1N4148 (1206)	
D17,18,24	12-1N41480000P1	SMD DIODE 1N4148 (1206)	
D8 ~ 10	12-KBP2005000010	BRIDGE RECTIFIER D01-KBP20050000-BP 2A	
EC1,23,28,35,40	26-015100850126	E.CAP 10UF 25V +-20%(TAPING)	
EC29,37	26-017330750121	E.CAP 3300UF 16V +-20% 105C	
EC33	26-017330850121	E.CAP 3300UF 25V +-20% 85C	
EC4,9	26-017100850121	E.CAP 1000UF 25V +-20% 105C	
J10	43-431350007120	3.5 mm STEREO JACK (YELLOW)	
J13	43-421000005020	TV JACK IF-09 [JPN]	FOR FM ANTENNA
	43-42A250300020	IF TYPE RADIO JACK IF-05P [EUR]	FOR FM ANTENNA
J6,8	43-431360001020	PHONE JACK D3.6 mm TC-38-105-02-PT(BLK)	
Q2,6	11-2SD1936U0125	TRANSISTORS 2SD1936U (SANYO) (TAPING)	
Q5,8,10 ~ 13	11-MMBT39040221	SMD TRANSISTORS MMBT3904 SOT23	
Q18,19,21 ~ 23	11-MMBT39040221	SMD TRANSISTORS MMBT3904 SOT23	
Q7,3	11-MMBT85500021	SMD TRANSISTORS MMBT8550D (SOT23)	
Q9,11	11-8550D0000025	TRANSISTORS 2W 8550D (TAPING)	[JPN] only
T2	40-02A1310010S0	IFT OHK7-850977 (BROWN) [JPN]	
	40-027M1A210120	I.F.T 7 mm 7DM-N7394-LF (BROWN) [EUR]	
U1	16-SI4730000021	IC SI4730 - SMD	
U10	16-LM317M000021	IC (SGS) LM317M (TO-252)	
U12	16-LM1117S00021	IC LM1117S-3.3 SOT-223	
U15	16-SA7454000021	IC SA7454 (DIP-18IH-300-2.54)	
U16	16-GY4860000021	MCU (GENNY) GY486 (TOP) PROGRAMMED	
U19	16-CPV112000731	IC CP-V112 V2.0B CLASS 6 (BY TEAC)	
U2	16-CYT78L050021	IC CYT78L05 (TO-92)	
U6	16-UE2314000021	IC UE2314 (GENNY) (SOP-28)	
U7	16-LM7808000021	IC (LIBERAL) LM7808	
U8,18	16-SC1308000021	IC (LIBERAL) SC1308-01	
U9	16-UTC7805000021	IC UTC7805 (TO-220) (1.5A)	
XT1,3	31-015320003310	CRYSTAL 32.768KHZ (3x8 mm)+-20 PPM	
XT2	31-018110502120	CRYSTAL 11.0592MHz HC-49/US +-20 PPM	
ZD2,3,5,D3,D4	12-1N5819000025	RECTIFIER DIODE 1N5819 T=52 mm	
ZD4	12-1N40010000P1	RECTIFIER DIODE 1N4001 (T=52 mm)	
	61-48A250300220	HEATSINK PLATE	for U15, SA7454
	66-150230180223	HARDEN SCREW BTTB 3x8 mm MC	for PCB to HEATSINK PLATE x 2
	66-120230180321	MACHINE SCREW MS/BH 3x8 mm	for U9, UTC7805
	67-021300000020	NUT DIA M3 mm	for U9, UTC7805
	61-48C990800021	HEATSINK R1 (T1 mm MATEL PLATE)	for U9, UTC7805

DISPLAY PCB
(SR-2)

Side A

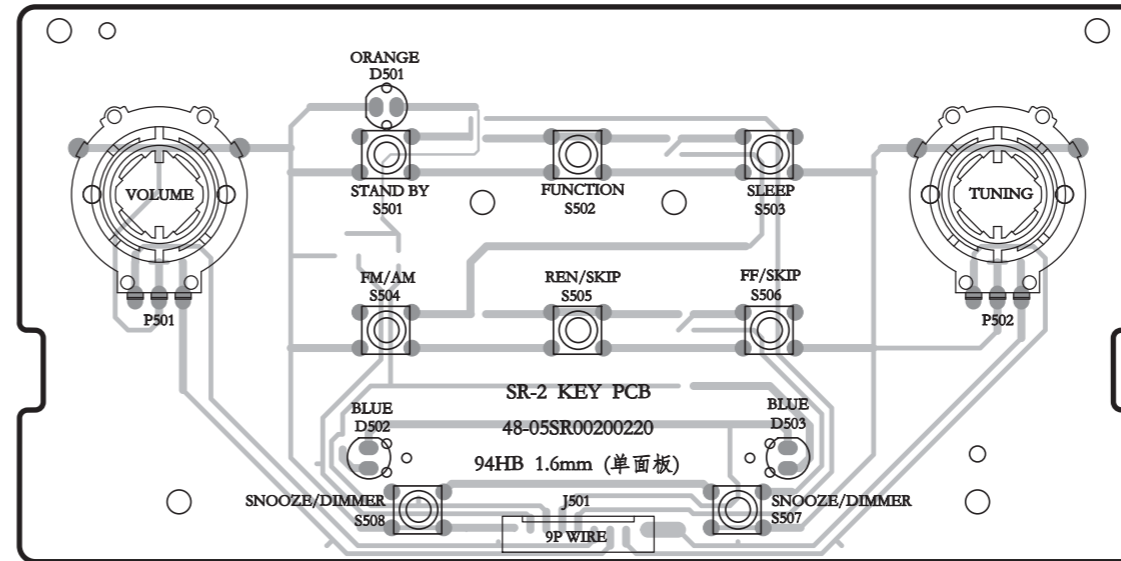


Side B

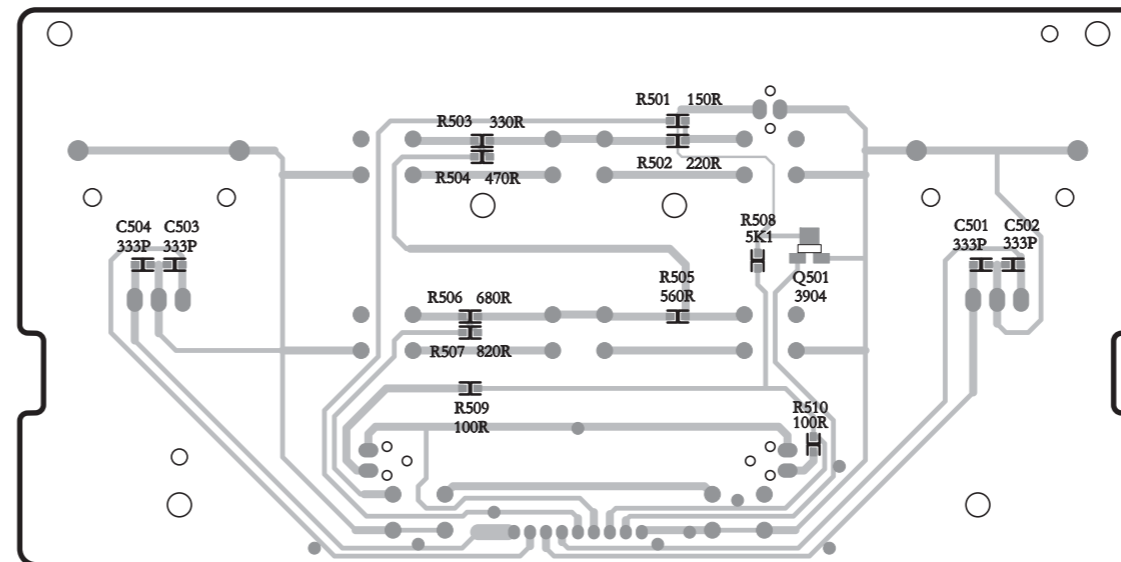


KEY PCB
(SR-2)

Side A

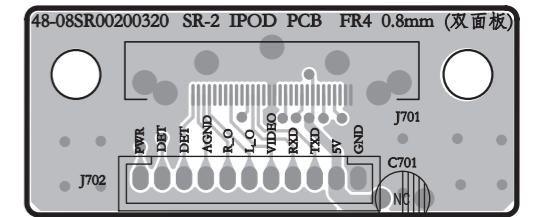


Side B

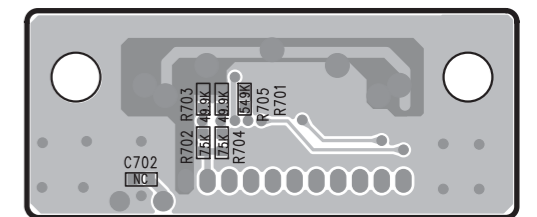


IPOD PCB
(SR-2)

Side A



Side B



DISPLAY PCB ASSY (SR-2)

REF. NO.	PARTS NO.	DESCRIPTION	REMARKS
	05-SR0020400000	PCBA-DISPLAY BLACK	
	05-SR0020400010	PCBA-DISPLAY TIMBER	
	48-04SR00200220	DISPLAY PCB 150x70x1.6 mm 94HB	
J401	43-022100234120	SMD F.F.C.WAFER 1 mm 34P 90C	
D401,403,404	13-011200121020	LED LAMP 2x4 mm (WHITE) LF244W3CJ-1A/01/P	
D401	13-05SR00200020	LCD DISPLAY SDH-DA1864-TP-1	
P401	17-05FM90380020	OPTICAL SENSER FM-9038TM2-5AN	
S401 ~ 406	41-150010030020	TACT SWITCH 6x6 mm 5 mm (160g+-30g) 4LEGS	

KEY PCB ASSY (SR-2)

REF. NO.	PARTS NO.	DESCRIPTION	REMARKS
	05-SR0020500000	PCBA-KEY "BLACK"	
	05-SR0020500010	PCBA-KEY (JPN) "TIMBER"	
	48-05SR00200220	KEY PCB 140x69.5x1.6 mm 94HB	
J501	44-325310059620	9P FLAT CABLE (#28) L=100 mm HSG(2)x1	
Q501	11-MMBT39040221	SMD TRANSISTORS MMBT3904 SOT23	
D502,503	13-011306012020	LED LAMP 3 mm (BLUE) 33B4UCC01(D)/K1	
D501	13-011303122020	LED LAMP 3 mm (S.ORANGE) LA304A2CT-2E/01	
P501,502	22-502200000010	ROTARY ENCODER (E2231A3AV1A50400Q3	
S501 ~ 508	41-150010030020	TACT SWITCH 6x6 mm 5 mm (160g+-30g) 4LEGS	

IPOD PCB ASSY (SR-2)

REF. NO.	PARTS NO.	DESCRIPTION	REMARKS
	05-SR0020800000	PCBA-IPOD	
	48-08SR00200320	IPOD PCB 45x19x0.8 mm FR4	
J701	43-011500230V30	IPOD SOCKET 0.5 mm 30P 180C (BY TEAC)	
J702	44-325310061520	11P FLAT CABLE (#26) L=100 mm HSG(2)x1	

SR-2/SR-2DAB

MAIN PCB ASSY (SR-2DAB)

REF. NO.	PARTS NO.	DESCRIPTION	REMARKS
	05-SR0020100020	PCBA-MAIN "SR2DAB" -UK	
	48-01SR00210520	MAIN PCB 260x164x1.6 mm FR4 (1 shot 2 out)	
C101,103	26-017330750121	E.CAP 3300UF 16V +-20% 105C	
C111,112,124	26-017470850311	E.CAP 4700UF 25V +-20% (16x25mm) 105C	
C120,135,361,370	26-016220850126	E.CAP 220UF 25V +-20% 105C (TAPING)	
C371,368,376			
C123,125,148,201	26-016100850316	E.CAP 100UF 25V +-20% 105C (TAPING)	
C140,141	26-017100850121	E.CAP 1000UF 25V +-20% 105C	
C219	26-015470750116	E.CAP 47UF 16V +-20%(TAPING) 85C	
C220	26-016470750116	E.CAP 470UF 16V +-20% (PH) TAPING 85C	
C224	26-015470850121	E.CAP 47UF 25V +-20% 105C	
C315	26-016220750015	E.CAP 220UF 16V+-20% 85C 6x12(PH)TAPING	
D100 ~ 102	12-KBP2005000010	BRIDGE RECTIFIER D01-KBP20050000-BP 2A	
D201,202,207	12-RB160M3000025	SMD DIODE RB160M-30 SOD-123	
D216 ~ 218			
D204	12-1N58190000025	RECTIFIER DIODE 1N5819 T=52mm	
D205,206	12-BAS3160000P5	SMD DIODE BAS316 SOD323 (934054945115)	
D302,311	12-SS14000000025	SMD DIODE SS14 SMA/DO-214AC	
J300	43-431350007120	3.5 mm STEREO JACK (YELLOW)	
J502,503	43-431360001020	PHONE JACK D 3.6mm TC-38-105-02-PT(BLK)	
J509	43-012200212120	WAFER 2 mm 12 P 180C	
J521	43-012100213120	FFC.WAFER 1 mm 13P 180C single-side contact	
J522,523	43-012250120120	WAFER 2.5 mm 2 P 180C	
J524	43-012100212220	FFC WAFER 1 mm 12P 180C double-side contact	
L140,141	38-0141000050120	AXIAL INDUCTOR 100UH +-10% 275mA EC-36	
L353	32-0313516000025	FERRITE BEAD 3.5x6x0.8TB (TAPING)	
Q101,104 ~ 106	11-MMBT39040221	SMD TRANSISTORS MMBT3904 SOT23	
Q125,206,351			
Q102,107,350	11-AO34010000021	SMD TRANSISTORS AO3401 (SOT-23)	
Q18,21	11-MMBT805000021	SMD TRANSISTORS MMBT8050D (SOT23)	
U100	16-SA74540000021	IC SA7454 (DIP-18IH-300-2.54)	
U101	16-LM78080000021	IC LM7808	
U102	16-ET23140000021	IC (Etek) ET2314 (SOP28)	
U104	16-UTC78050000021	IC UTC7805 (TO-220) (1.5A)	
U200	16-GY48100000021	MCU GY481 PROGRAMMED	
U201	16-CPV1120000731	IC CP-V112 V2.0B CLASS 6 (BY TEAC)	
U202	16-HEF4052B00021	IC (PHILIPS) HEF4052BT	
U300,302	16-SC13080000021	IC (LIBERAL) SC1308-01	
U301	43-012254230120	30P (15Px2) SOCKET 2.54 mm 180C (H=5.7	
U303	16-XC6210A000021	IC XC6210A122 1.2V SOT89-5	
U304	16-RT98190000021	IC (RICHTEK) RT9819C-30PV (SOT-23-3)	
U305	16-LM1117S000021	IC LM1117S-3.3 SOT-223	
U307	16-HT75360000021	IC HT7536-1 3.6V (TO-92)	
X200	31-015320003310	CRYSTAL 32.768KHZ (3x8mm)+-20PPM	
X201	31-018110502120	CRYSTAL 11.0592MHz HC-49/US +-20PPM	
	61-48A250300220	HEATSINK PLATE	for U100, SA7454 - mounted on PCB
	66-150230210223	HARDEN SCREW BTTB 3x10 mm MC	for PCB to HEATSINK PLATE x 2
	61-48C9908000021	HEATSINK R1 (T1mm MATEL PLATE) U-SHAPE	for U104, UTC7805
	66-120230180321	MACHINE SCREW MS/BH 3x8 mm	for U104, UTC7805
	67-0213000000020	NUT DIA M3 mm	for U104, UTC7805

SR-2/SR-2DAB

DISPLAY PCB ASSY (SR-2DAB)

REF. NO.	PARTS NO.	DESCRIPTION	REMARKS
	05-SR0020400021	PCBA-DISPLAY "SR2DAB" -UK R1	
	48-04SR00210220	DISPLAY/KEY PCB 166x143x1.6 mm 94HB W/DAB	
Q201 ~ 205,210,219	11-MMBT39040221	SMD TRANSISTORS MMBT3904 SOT23	
D215,219	12-RB160M300025	SMD DIODE RB160M-30 SOD-123	
J600	43-022100212120	SMD F.F.C WAFER 1 mm 12P 90C (BLACK)	
D208,209,210	13-011200121020	LED LAMP 2x4 mm (WHITE) LF244W3CJ-1A/01/P	
D211	13-011303122020	LED LAMP 3 mm (S.ORANGE) LA304A2CT-2E/01	
D212,213	13-011306012020	LED LAMP 3 mm (BLUE) 33B4UCC01(D)/K1	
LCD1	13-05SR00200120	LCD DISPLAY KMD2118-A-01-SBH	
P200	17-05FM90380020	OPTIC SENSER (OPTO..) FM-9038TM2-5AN	
S200,201	22-502200000010	ROTARY ENCODER (E2231A3AV1A50400Q3	
S202 ~ 214,220	41-150010030020	TACT SWITCH 6x6 mm 5 mm (160g+-30g) 4 LEGS	
J700	43-022100213320	SMT F.F.C.WAFER 1 mm 13P 90C double-side contact	
0201	56-07SR45100900	LCD BRACKET (ABS) (WHITE)	
0202	56-07SR45130B00	REMOTE SENSOR BRACKET (ABS) (BLACK)	
0203	56-22SR45100B00	BLACK COVER (ABS) (BLACK)	
0204	56-57SR45110010	BACKLIGHT LENS (PMMA) TRANSPERENT	for BACKLIGHT for LCD (silkscreen printed)
0101	57-26SR45100020	FILTER PLATE	for LCD BACKRIGHT
	56-07SR45140B00	SNOOZE LED BRACKET (ABS) (BLACK)	
	56-07SR45150B00	TAG LED BRACKET (ABS) (BLACK)	

IPOD PCB ASSY (SR-2DAB)

REF. NO.	PARTS NO.	DESCRIPTION	REMARKS
	05-SR0020800010	PCBA-IPOD 'SR2DAB" -UK	
FB001 ~ 003, 005	32-035100000225	SMD FERRITE BEAD 1K 100MHz (0603)	
FB004	32-035100060015	SMD FERRITE BEAD 1K +-25% (2012)	
J400	43-011500230V30	IPOD SOCKET 0.5mm 30P 180C (BY TEAC)	
	48-08SR00210320	IPOD PCB 135x110x0.8mm FR4 W/DAB 1 output 15	
	32-042332100020	FERRITE CORE 33.5x10mm H=6.5mm	
	44-325270062520	12P FLAT CABLE L=70mm HSG(2)x1 UL2651#26	FOR IPOD 12P FFC IPOD PCB TO MIAN PCB J509

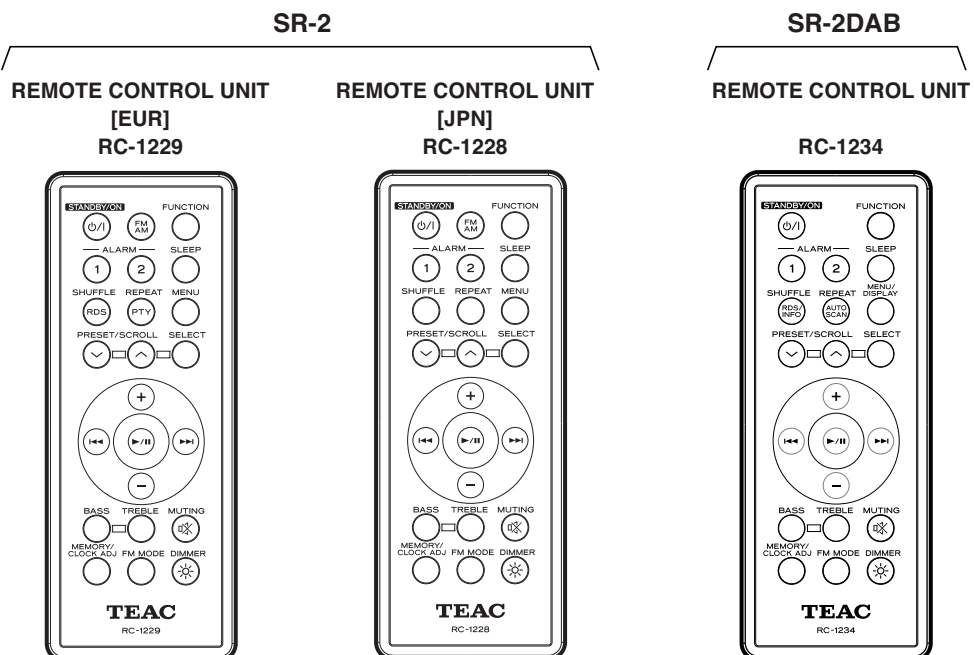
6. INCLUDED ACCESSORIES

SR-2

REF. NO.	PARTS NO.	DESCRIPTION	REMARKS
	77-20SR00200021	OWNER'S MANUAL (J) [JPN]	
	77-20SR00200120	OWNER'S MANUAL (EFSGIN) [EUR]	
	32-07DX22000020	AM LOOP ANTENNA	
	45-194268000020	FM ANTENNA L= 2.68 M	
	45-204100015120	RCA -3.5mm PLUG CORD 1P L=1 M (YELLOW)	
	45-263500000220	CONNECT CORD 3.5 ST/PLUG x2 500 mm	
	56-07I055219000	HOLDER IPHONE/CLASSIC 160GB TIMBER	
	56-07I05521B000	HOLDER IPHONE/CLASSIC 160GB BLACK	
	56-07SRLXIBB000	IPOD DOCK ADAPTER 60GB PHOTO 40GB/60G	
	56-07SRLXICB000	IPOD DOCK ADAPTER 20GB+U2	
	56-07SRLXIGB000	IPOD DOCK ADAPTER NANO 2ND GENERATION	
	51-011150300310	BATTERY 1.5V (G.P) AAA 2 PCS/PACK (LR03)	
	51-021301000080	LITHIUM BATTERY CR2032 (GP)	
	02-170SR0021000	REMOTE CONTROL UNIT RC-1229 [EUR]	
	02-170SR0021100	REMOTE CONTROL UNIT RC-1228 [JPN]	

SR-2DAB

REF. NO.	PARTS NO.	DESCRIPTION	REMARKS
	77-20SR00200220	OWNER'S MANUAL (E) [UK]	
	77-20SR00200320	OWNER'S MANUAL (EG) [EUR]	
	77-20SR00200420	OWNER'S MANUAL (G) [EUR]	
	77-20SR00200520	OWNER'S MANUAL (E) [AUS]	
	45-204100015120	RCA -3.5mm PLUG CORD 1P L=1 M (YELLOW)	
	45-263500000220	CONNECT CORD 3.5 ST/PLUG x2 500 mm	
	56-07I05521B000	HOLDER IPHONE/CLASSIC 160GB (ABS)	
	56-07SRLXIBB000	IPOD DOCK ADAPTER 60GB PHOTO 40GB/60G	
	56-07SRLXICB000	IPOD DOCK ADAPTER 20GB+U2	
	56-07SRLXIGB000	IPOD DOCK ADAPTER NANO 2ND GENERATION	
	51-011150300310	BATTERY 1.5V (G.P) AAA 2 PCS/PACK (LR03)	
	51-021301000080	LITHIUM BATTERY CR2032 (GP)	
	02-170SR0020500	REMOTE CONTROL UNIT RC-1234	



SR-2/SR-2DAB

TEAC

TEAC CORPORATION 1-47,Ochiai, Tamashi, Tokyo 206-8530, Japan Phone: (042) 356-9155

TEAC AMERICA, INC. 7733 Telegraph Road, Montebello, California 90640 Phone: (323) 726-0303

TEAC CANADA LTD. 5939 Wallace Street, Mississauga, Ontario L4Z 1Z8, Canada Phone: (905) 890-8008

TEAC MEXICO, S.A. De C.V Rio Churubusco 364, Colonia Del Carmen, Delegación Coyoacán, CP 04100, México DF, México Phone: (5255) 5010-6000

TEAC UK LIMITED Unit 19 & 20, The Courtyards, Hatters Lane, Watford, Hertfordshire, WD18 8TE, U.K. Phone: (0845) 130-2511

TEAC EUROPE GmbH Bahnstrasse 12, 65205 Wiesbaden-Erbenheim, Germany Phone: 0611-71580
